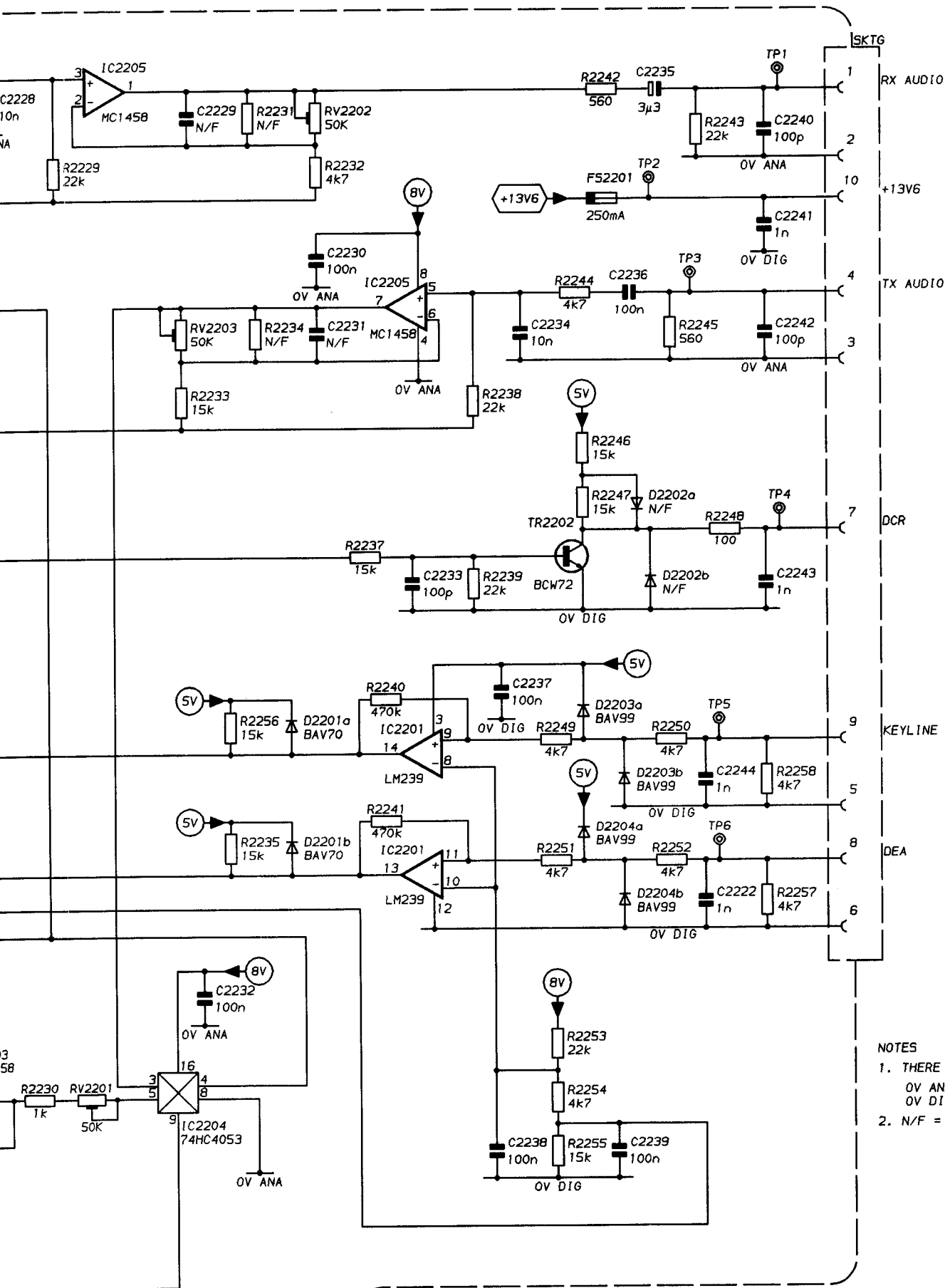


A3 F6600

FIG 6.3 NON-PREScribed DATA PWB COMPONENT LOCATION DIAGRAM





- NOTES
1. THERE 2 GROUNDS ON PCB  
OV ANA = ANALOGUE GRND  
OV DIG = DIGITAL GRND
  2. N/F = NOT FITTED

IBED DATA &  
E ENCODER ASSY.

FIG 6.4 NON-PREScribed DATA PWB  
CIRCUIT DIAGRAM